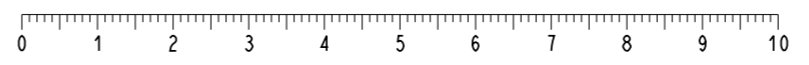
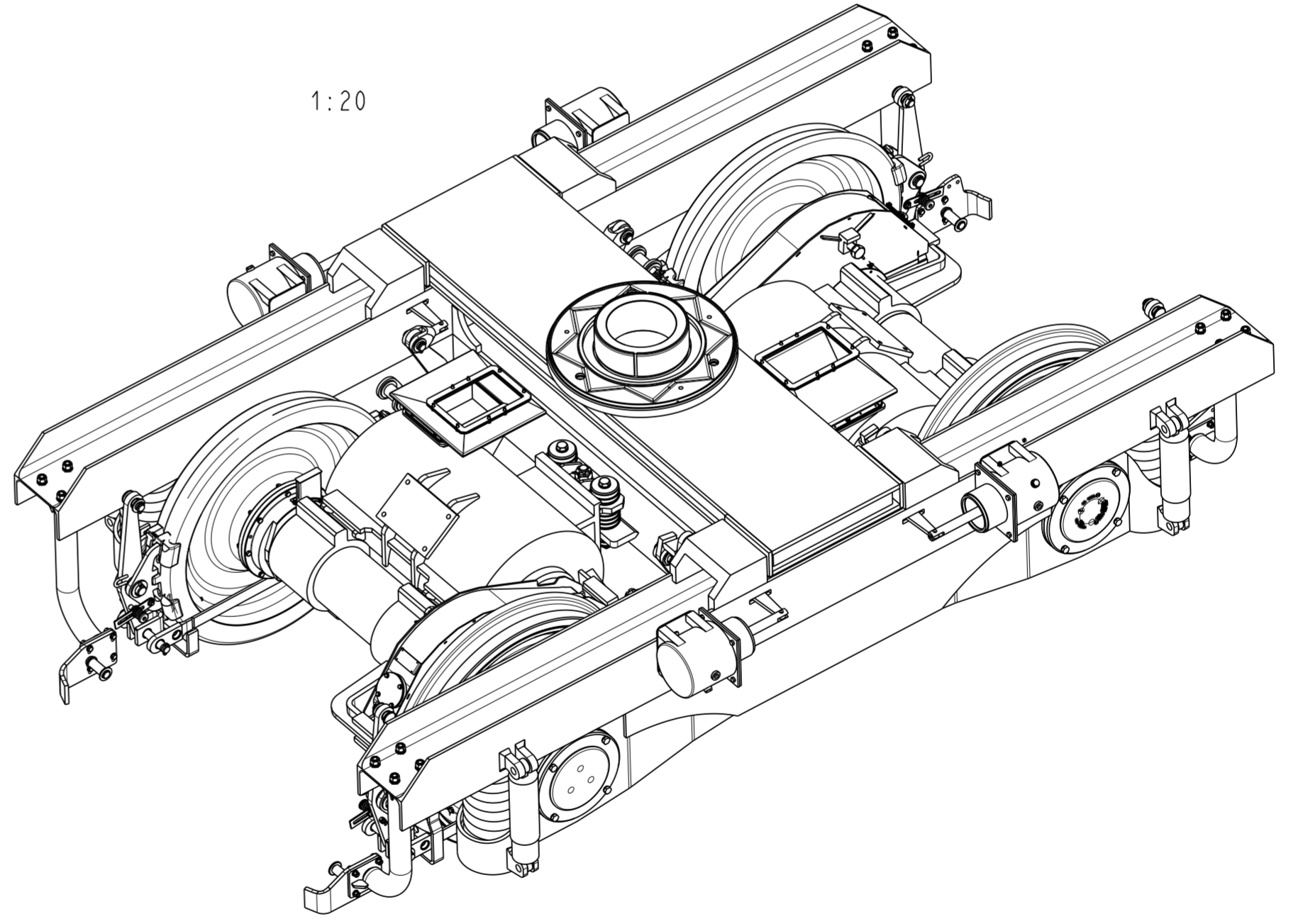
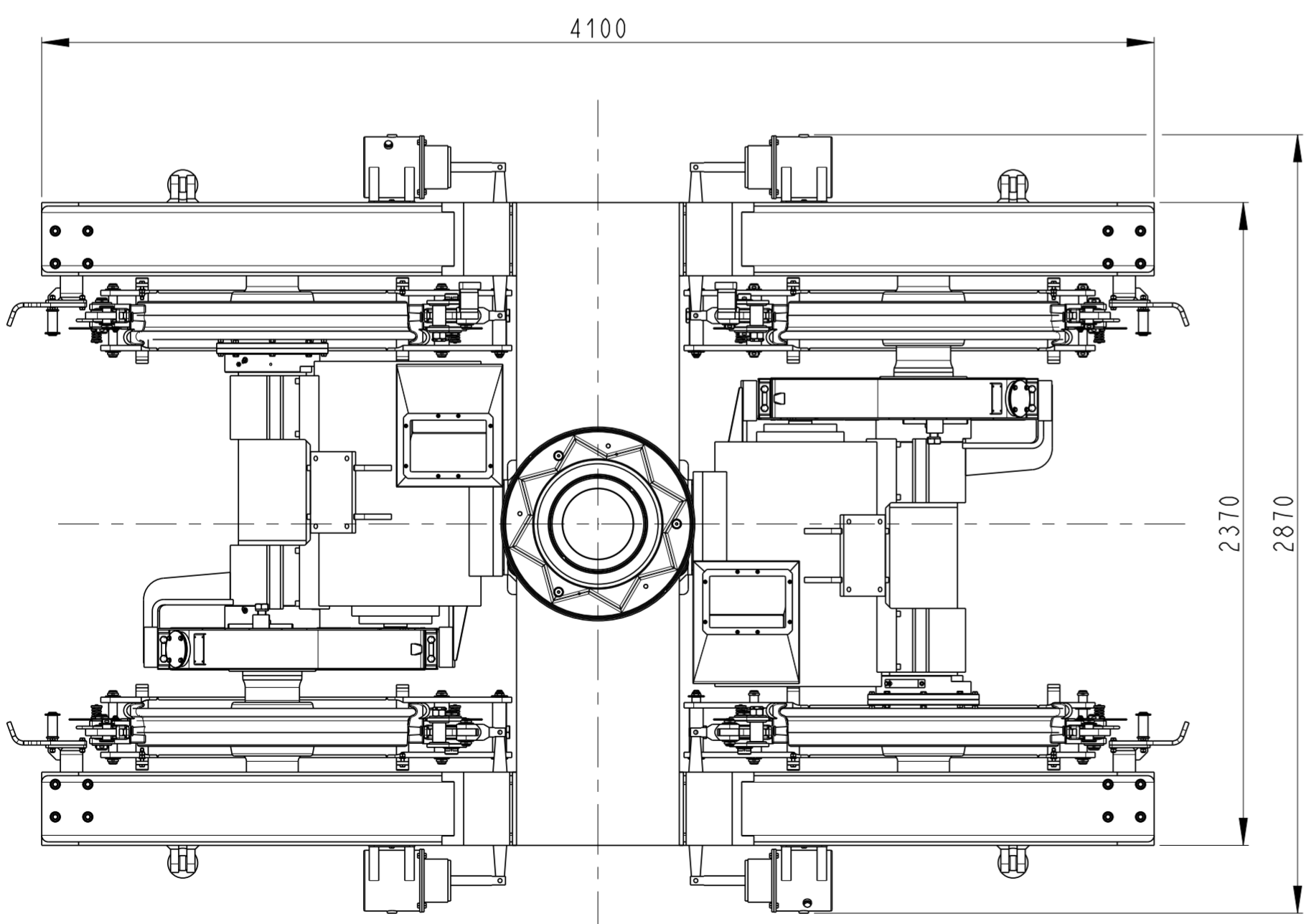
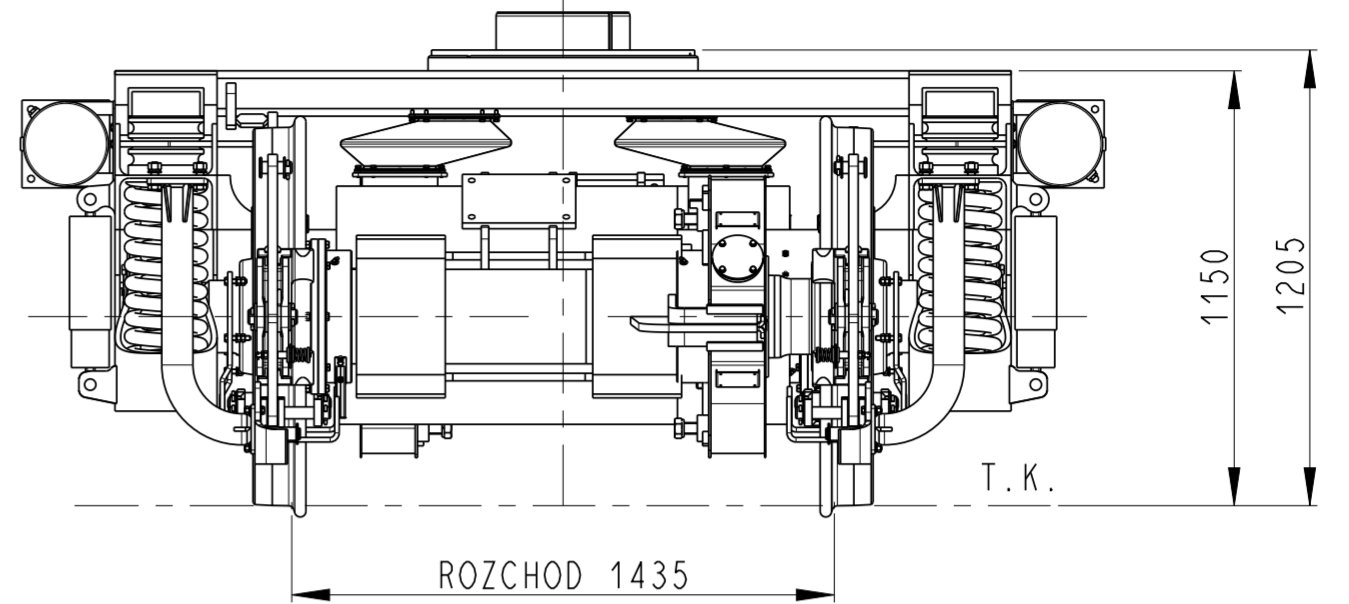
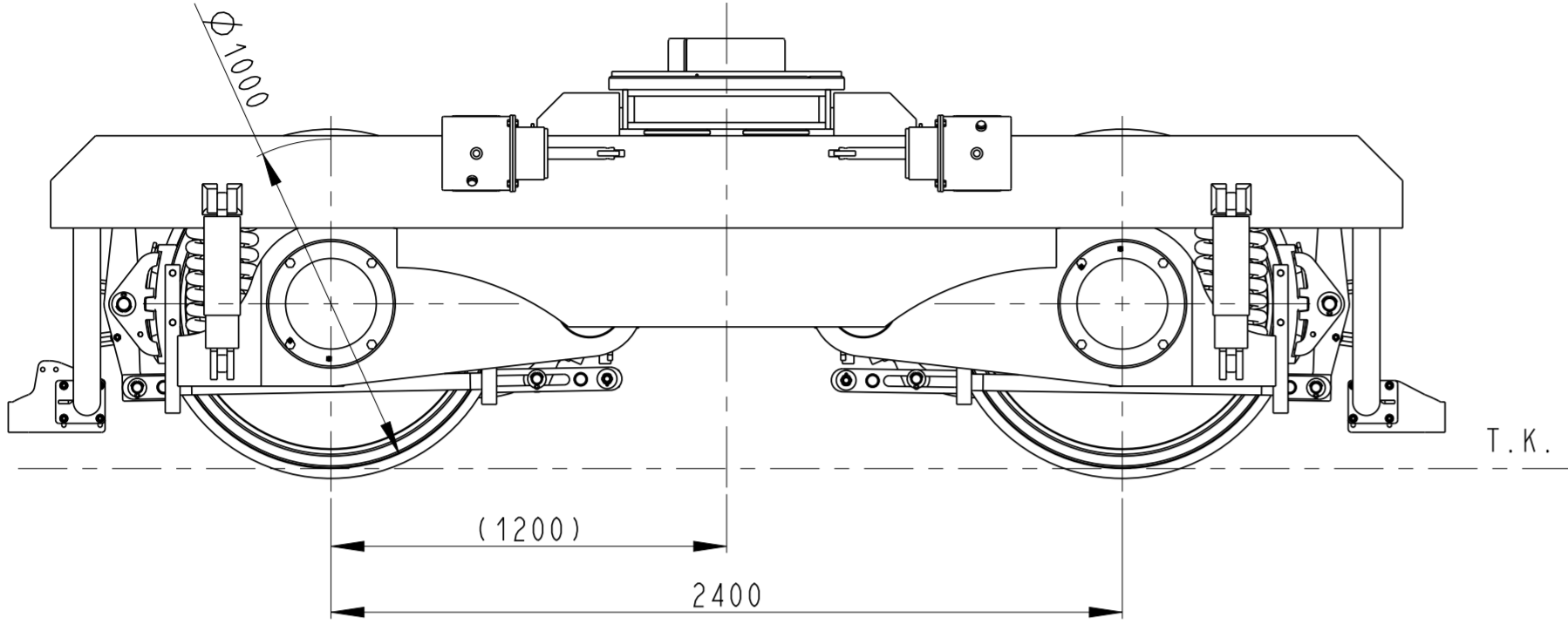


119.7866 m²



ISO 2768 - mK							
GENERAL TOLERANCES	MATERIAL SIZE SEMI-PRODUCT STANDARD SWAGE DIE	INITIAL MATERIAL FINAL MATERIAL	WASTE CLASS				
IC:		NET WEIGHT kg	12134.26	TOTAL NET WEIGHT kg [. 1]	TECHNOLOGICAL ASSEMBLY NUMBER	DATE	SIGNATURE INDEX X
SCALE	DESIGNER	TECHNOLOGIST	SNAP-SHOT NUM.	CHANGE			
1:20	DRAWN BY MICHALEC	METALLURGIST	TRANSP. NUM.				
	CHECKED BY	APPROVED BY	DATE	8.7.2021			
	STANDARDIZATOR						
TYPE ASSEMBLY		OLD DRAWING		SIMILAR DRAWING		SHEETS	
NAME		DRAWING NUMBER				1	
TYPOVY VYKRES		2-001-00				SHEET	
PODVOZKU		DRAWING: MICHALEC.PODVOZEK				1	
		MODEL: MICHALEC.PODVOZEK				FORMAT A2 ASSEMBLY	